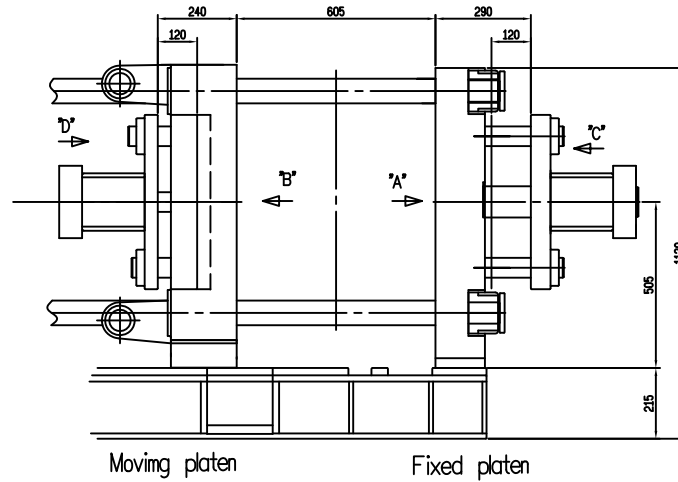


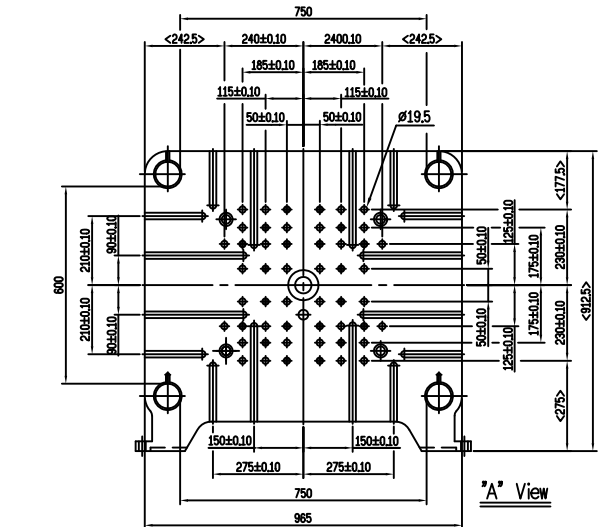
Moving platen and ejection

- Ejection bore Ø19.5-20 bore
- Retraction bore Ø19.5-32 bore

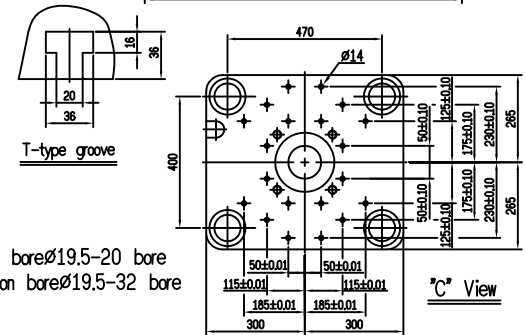


Moving platen

Fixed platen



A* View



C* View

Fixed platen and ejection

- Ejection bore Ø19.5-20 bore
- Retraction bore Ø19.5-32 bore

Applied sect.	Platen and Ejection
No.	W7DEA130